

MC SERIES

IN-WALL SPEAKERS



MC-6

IN-WALL SPEAKER

The MC-6 is the original 6½-inch aluminum cone in-wall speaker. The use of a 6½-inch aluminum cone woofer allows this speaker to have incredible bass response, while the 1-inch aluminum dome tweeter complements the woofer with tonal accuracy. The MC-6 in-wall speaker allows the listener to experience sound as it was meant to be heard, without colorations or distortion.

SOLD THROUGH AUTHORIZED RBH DEALERS

REDEFINING THE WAY YOU EXPERIENCE SOUND™



SPECIFICATIONS

MODEL NAME:

MC-6

SYSTEM TYPE:

In-wall 2-way Speaker

SERIES:

MC Series

FREQUENCY RESPONSE:

50Hz-20kHz \pm 3dB

SENSITIVITY:

86dB (2.83 Volts @ 1 Meter)

RECOMMENDED POWER:

15-120 Watts

DRIVE UNITS:

6-1/2" (165mm) Aluminum Cone Woofer
1" (25mm) Swivel Aluminum Dome Tweeter

TWEETER PROTECTION:

Yes

CROSSOVER FREQUENCY:

3,000 Hz

CROSSOVER:

12dB/Octave

IMPEDANCE:

8 Ohms

CABINET:

White Frame (paintable)

GRILLE:

White (paintable)

CUTOUT DIMENSIONS:

7-1/4" W x 11" H
(184mm W x 279mm H)

FINISHED DIMENSIONS:

8-1/2" W x 12" H x 3-1/2" D
(216mm W x 305mm H x 89mm D)

WEIGHT:

4.9 lbs. (2.22 kg)

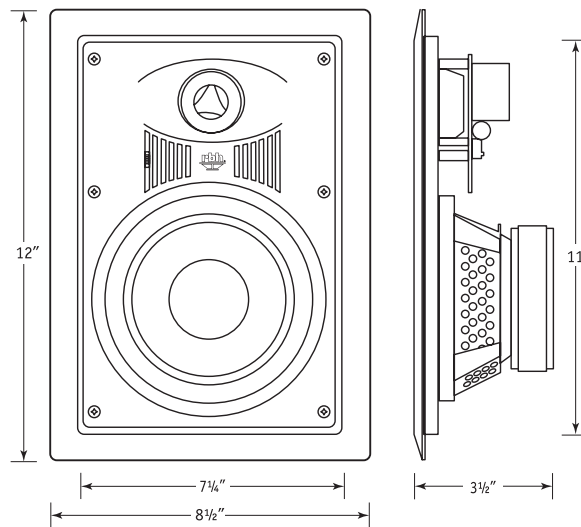
WARRANTY:

25 Years*



High Performance Home Audio
Redefining the Way You Experience Sound™

DIMENSIONS



MATCHING SERIES

IN-CEILING SPEAKERS:

MC-615L, MC-815, MC-815L

IN-WALL SPEAKERS

MC-414, MC-616, MC-553, MC6-DB

IN-WALL SUBWOOFER:

MCS-88/MCS-88P

OUTDOOR SPEAKER:

MC-6AW

ACCESSORIES

The below accessories are sold separately.

Rear Enclosure: FB-W

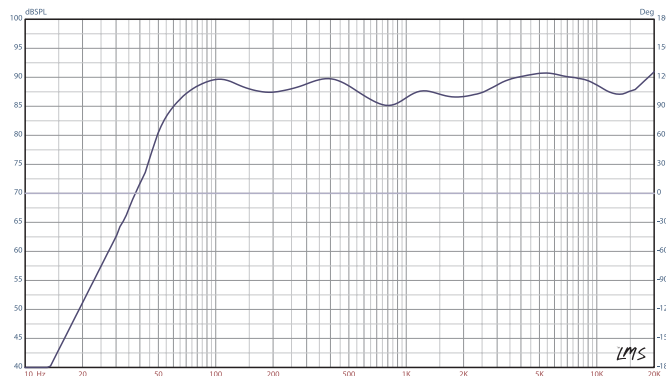
Blank Plate: BP-6

Construction Bracket: NCB-6

FEATURES

- Aluminum cone woofers providing a non-compressing piston area for the unparalleled bass response.
- Aluminum dome tweeters have excellent dispersion off-axis for room-filling high frequency accuracy.
- Swivel neodymium tweeters that can be angled up to 30 degrees off axis to provide accurate imaging anywhere in the room.
- Acoustic lens dispersing the high frequency energy, improving the off-axis response of the dome tweeters.
- Computer optimized crossover networks.
- Mylar capacitors minimize distortion and produce uncolored high frequency response.
- Protection devices integrated into the crossover circuitry is self resetting and helps ensure safe operation of the speaker.
- Paintable grilles, if you desire to completely conceal your in-wall speakers.
- Installation template.

FREQUENCY RESPONSE GRAPH



382 Marshall Way, Ste. A,
Layton, Utah, USA 84041

(800) 543-2205

(801) 543-2200

Fax: (801) 543-3300

<http://rbhsound.com>

*Warranted for 25 (twenty-five) years from date of purchase to be free from defects and workmanship. For more information see your RBH dealer.

It is RBH Sound policy to continuously incorporate improvements into products; all specifications are subject to change without notice. For the most current information visit us online at <http://rbhsound.com>. Copyright © 2017 RBH Sound. All Rights Reserved.