

Product Specifications

ALC620 IN-CEILING LCR SPEAKER

Description:

The ALC620 LCR (Left, Center, Right) speaker is designed specifically to be mounted in the ceiling for home theater installations. There is a lot to be said for having your own home theater. Less expensive equipment and user friendly products are making it easier for more and more people to own home theaters. The ALC620 was designed specifically for this purpose, for use in home theaters. The 15-degree fixed offset woofer and pivoting tweeter allows the speaker to be mounted in the ceiling and directed to the center of the room. This provides a viable alternative to wall-mount speakers, freeing up wall space for pictures and artwork. Construction of the ABS frame and baffle with a rigid aluminum grille are extremely sturdy. Both the grille and frame can easily be painted in any color for a perfect integration into any decor. Quick install brackets are available to ease installation of the speaker.

Applications:

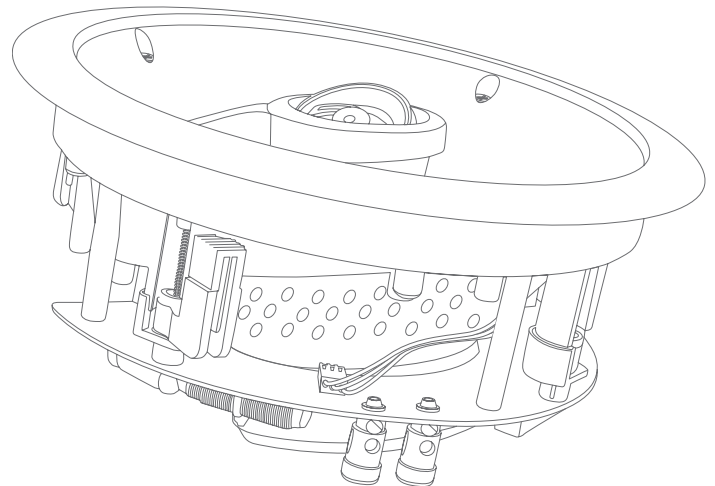
- Multi-room Audio
- Home Theater

Technical Information:

Model Number:	ALC620
Series:	Ascensia
Special Feature:	15-degree Fixed Offset
Woofer:	6.5" (165mm) Poly Graphite
Tweeter:	1" (25mm) Pivoting Silk with ± 3 dB Switch
Power Handling:	80 Watts
Impedance:	8 Ohms
Frequency Response:	50Hz–20kHz
Sensitivity:	90dB
Color:	White
Grille:	White (paintable aluminum)
Cutout Dimensions:	8.25" (209mm)
Finished Dimensions:	9.375" (238mm)
Finished Depth:	5.25" (133mm)
Weight:	4.2 lbs. (1.90 kg) each
Warranty:	10 years



Front View



The 15-degree offset and pivoting tweeter of the ALC620 LCR speaker as shown from the side in the above illustration. These features allow the sound to be targeted directly at the listening position for high fidelity in-ceiling surround sound.



382 Marshall Way, Layton, Utah • 84041 • USA • 801-660-2400 • Fax: (801) 543-3300 • www.destinationaudio.com

It is Destination Audio policy to continuously incorporate improvements into products; all specifications are subject to change without notice. Copyright © 2006-2010 Destination Audio. All Rights Reserved.