



VERSATILE SIGNATURE IN-WALL STANDARD AND REFERENCE OPTIONS

Heavily braced HDF box

Seperate baffle design

Reference aluminum driver

Reference AMT Tweeter



Fabric grille

You need a custom installed elegant solution for your surrounds or, an entire smaller theater. The SI-740 Signature or AMT tweeter enhanced SI-740/R Reference version is a great choice.

Only a small white or black fabric grille is visable yet there's full cabinet volume allowing this discreet 2-way to really perform! You'll be amazed at the accuracy and detail.



SI-740

SI-740/R

Perfect for the listener who demands high performance from a smaller in-wall footprint, the SI-740 is a two-way design that works well as the main and surround speakers in an in-wall surround sound system, or as a pair of in-wall surround speakers to compliment a pair of freestanding Signature Series speakers. Its 6½-inch aluminum cone woofer and 1-inch fabric dome tweeter deliver incredible realism and detail not typical of regular in-wall speakers.

The reference version, SI-740/R, excels as main and surround speakers in an in-wall home theater system also as in-wall surround speakers to complement a pair of freestanding Signature Reference speakers.

SI-SERIES IN-WALL Speaker

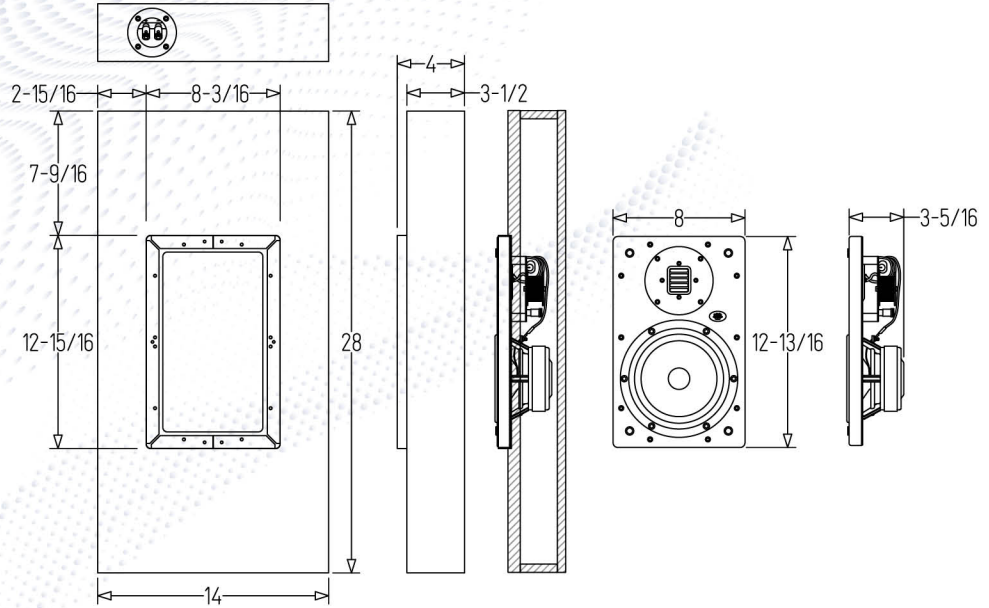
- Proprietary damped, aluminum drivers
- Heavily braced, HDF USA built cabinet sized to fit between studs placed 16" on center
- Tweeter protection circuitry is incorporated to prevent driver damage if over driven
- Separate baffle design allows for cabinet installation during construction without worry of driver damage
- multiple options in the series are designed for wide range of requirements
- series options include in-wall and on wall



*Limited Warranty for 10 years (with registration) from date of purchase to be free from defects and workmanship. For more information contact your RBH dealer or check our website.

It is RBH Sound policy to continuously incorporate improvements into products; all specifications are subject to change without notice.

For the most current information visit us online at <https://rbhsound.com>.
Copyright ©2023 RBH Sound. All Rights Reserved.



available in
standard or reference

MODEL NAME:	SI-740
SYSTEM TYPE:	Sealed / LCR 2-way Speaker
SERIES:	Signature Series In-wall Speaker
FREQUENCY RESPONSE:	60Hz-20kHz (±3dB)
SENSITIVITY:	87dB (2.83V @ 1 Meter)
RECOMMENDED POWER:	75-150 Watts
DRIVE UNITS:	(1) 6-1/2" (165mm) cast aluminum basket, aluminum cone woofer (sliver or black-anodized) (1) 1" (25mm) Fabric Dome Tweeter
TWEETER PROTECTION:	Yes
CROSSOVER FREQUENCY:	2700Hz
CROSSOVER SLOPE:	12dB/Octave
IMPEDANCE:	8 Ω
CABINET:	High Density Fiberboard (HDF) Black Satin Paint
GRILLE:	Black or White (fabric)
BAFFLE DIMENSIONS:	8 1/8" W x 12 7/8" H (206mm W x 327mm H)
FINISHED DIMENSIONS:	14"W x 28"H x 4"D (356mm W x 711 mm H x 102mm D)
WEIGHT:	24.8 lbs (11.2 kg)
WARRANTY:	*10 Year Limited

MODEL NAME:	SI-740/R
SYSTEM TYPE:	Sealed / LCR 2-way Speaker
SERIES:	Signature Reference Series In-wall Speaker
FREQUENCY RESPONSE:	60Hz-40kHz (±3dB)
SENSITIVITY:	88dB (2.83 Volts @ 1 Meter)
RECOMMENDED POWER:	75-175 Watts
DRIVE UNITS:	(1) 6-1/2" (165mm) cast aluminum basket, aluminum cone woofer (sliver or black-anodized), with solid aluminum phase plug, (1) 1.38" X 1" (35mm x 25mm) AMT tweeter
TWEETER PROTECTION:	Yes
CROSSOVER FREQUENCY:	2700Hz
CROSSOVER SLOPE:	12dB/Octave
IMPEDANCE:	8 Ω
CABINET:	High Density Fiberboard (HDF) Black Satin Paint
GRILLE:	Black or White (fabric)
BAFFLE DIMENSIONS:	8 1/8" W x 12 7/8" H (206mm W x 327mm H)
FINISHED DIMENSIONS:	14"W x 28"H x 4"D (356mm W x 711 mm H x 102mm D)
WEIGHT:	25 lbs (11.34 kg)
WARRANTY:	*10 Year Limited

Designed, Engineered, Tested and Assembled in USA from American and imported parts

RBH Sound • 382 Marshall Way, Ste A, Layton, Utah • USA • 84041
(801) 543-2200 • <https://rbhsound.com>