

821-SW /R

SW series

rbh signature product



ELITE REFERENCE ON-WALL

EXTREME DYNAMIC VERSATILITY

HDF Cabinet

High Quality Aluminum Cone
Black Anodized

Reference AMT
Tweeter

Premium Aluminum Frame
Durable NBR Surround



Your ultimate home theater can be totally completed with the versatile and impactful 821-SW/R to easily enjoy your immersive experience.

Top and bottom French Cleats on the 821-SW/R enable secure, fast and simple wall installation you can depend on. Reference level output and clarity will provide realistic experience.



821-SW/R

The 821-SW/R speaker has performance characteristics very close to its larger 831 model sibling with the visual benefit of a smaller footprint. The 821-SW/R has two 8-inch aluminum cone woofers and a large high-quality AMT aero-striction tweeter in a MTM driver alignment and is capable of producing reference level dynamic range with ultimate fidelity in large home theaters or listening rooms. The size and installation flexibility of the 821-SW/R makes it a go-to model. Use it as a complete high-output theater system, LCR and surrounds. It can also be used as on-walls throughout larger homes or locations benefiting from higher power handling speakers.

For ultimate impact check out the RBH S and SI Subwoofer models to complement and complete your dream home theater that will leave you, your family and guests in awe.

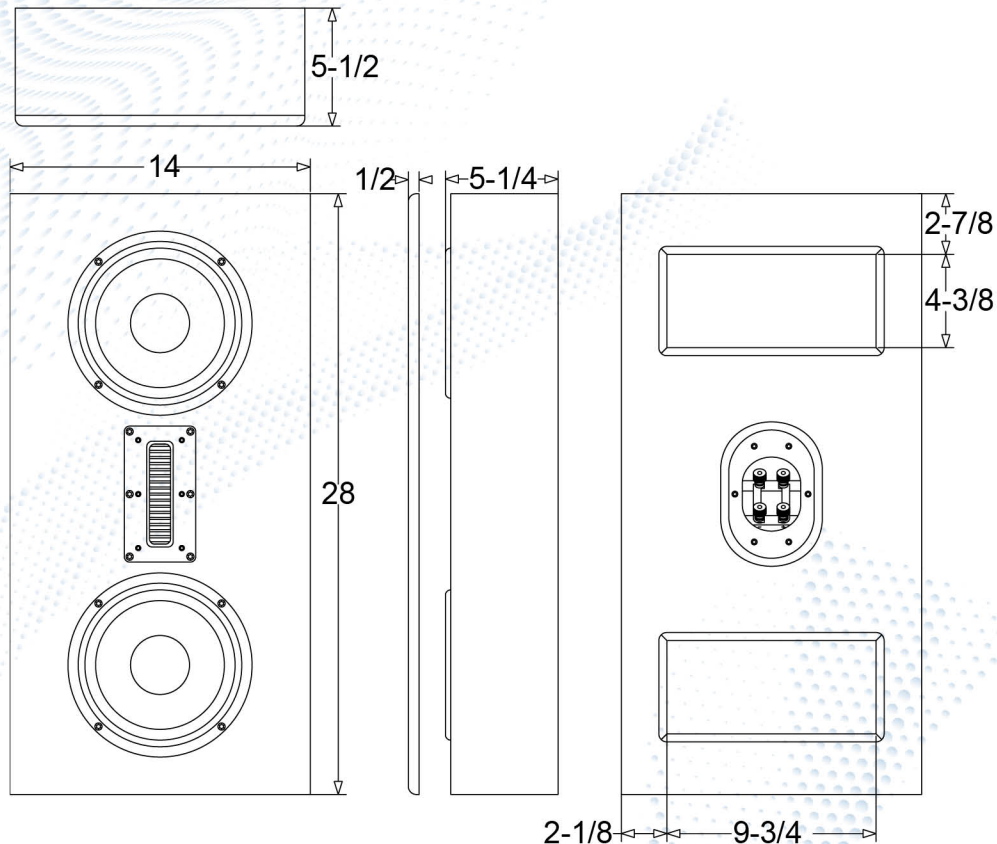
On-Wall-SERIES Signature & Reference

- Black anodized reference aluminum drivers housed in cast aluminum baskets
- Provides timbre matched options for multi-channel sound across all freestanding, bookshelf, on-wall and in-wall products in the SF, SV or SI-Series
- Cabinet made in USA of High Density Fiberboard (HDF)
- Available in satin white or black



*Limited 10 Year Warranty (with registration) from date of purchase to be free from defects and workmanship. For more information contact your RBH dealer or check our website.

It is RBH Sound policy to continuously incorporate improvements into products; all specifications are subject to change without notice. For the most current information visit us online at <https://rbhsound.com>. Copyright ©2023 RBH Sound. All Rights Reserved.



Model	821-SW/R
SYSTEM TYPE	Signature Reference On-wall Loudspeaker
FREQUENCY RESPONSE	55Hz-35kHz ± 3dB
SENSITIVITY <small>(2.83V @ 1 Meter)</small>	92 dB
RECOMMENDED POWER	100-300W
DRIVE UNITS	(2) 8" (203mm) cast aluminum basket, black anodized aluminum cone woofers. (1) 4.72" x 1" (120mm x 25mm) AMT Tweeter
TWEETER PROTECTION	Yes
CROSSOVER FREQUENCY	2200Hz
CROSSOVER SLOPE	24dB/Octave, 12 dB/Octave
IMPEDANCE	4 Ω
CABINET/ COLOR	HDF construction, Satin Black or White
GRILLE	Black or White high quality cloth
WEIGHT	45 lbs (20.4 kg)
FINISHED DIMENSIONS	14" W x 28" H x 5-1/2" D (356 W x 711 H x 140 D mm)
WARRANTY	*10 Year Limited

Designed, Engineered, Tested and Assembled in USA from American and imported parts

RBH Sound • 382 Marshall Way, Ste A, Layton, Utah • USA • 84041
Phone: (801) 543-2200 • <https://rbhsound.com>