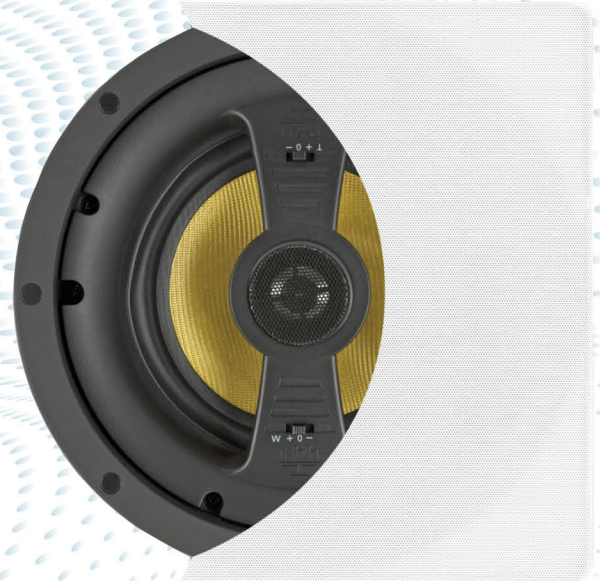


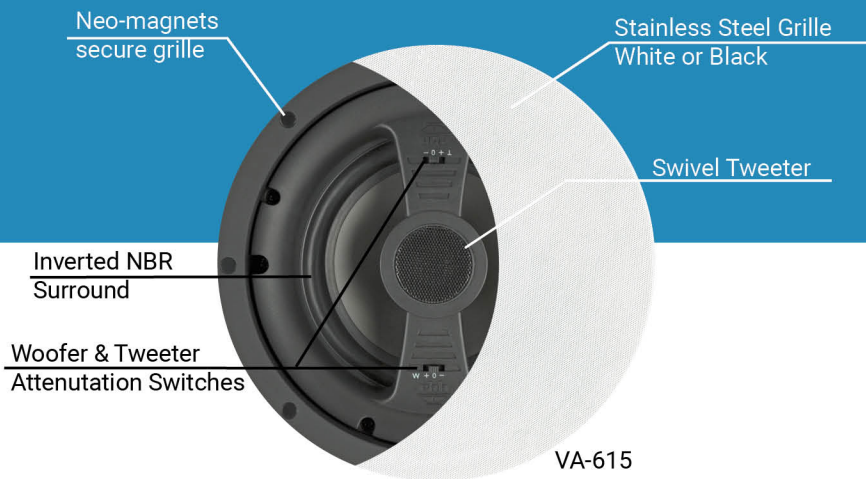


VM-615



VF-615 White or Black optional square grille

## AFFORDABLE ARCHITECTURAL THREE SPEAKER OPTIONS



VA-615

**You** require whole home premium sound with price options. The Visage 615 trio are your dependable yet sophisticated solution. Perfect for surround theater effects or Dolby Atmos installations too!

Fast, easy installation. Paintable stainless steel magnetically attached grilles can blend your speakers into your color scheme to almost make them disappear.



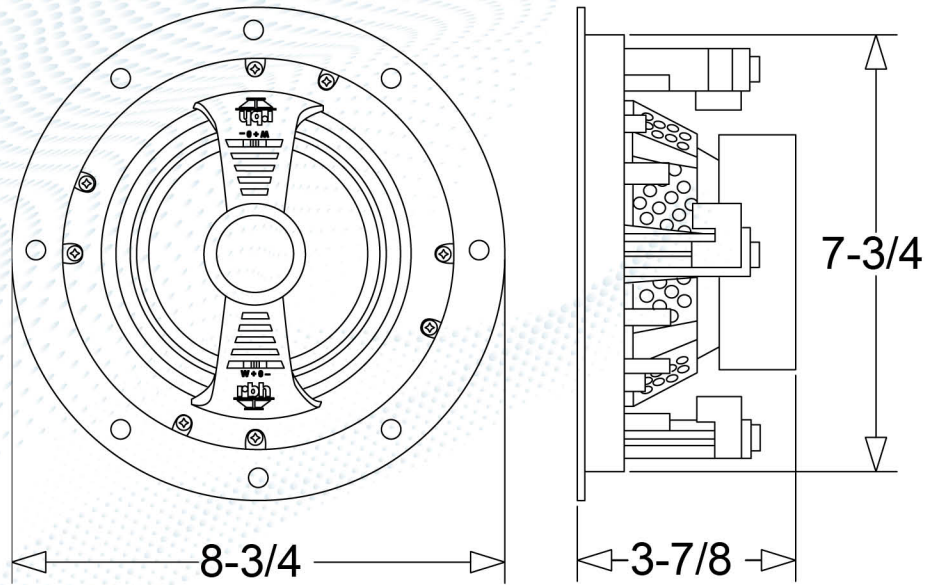
# VA-615 VF-615 VM-615

The In-ceiling 615 trio, with the inconspicuous Visage design, brings proven sound quality and value. All feature 30-degree swivel tweeters and dual sound contour switches to allow control of both the tweeters and woofers which makes custom tuning for optimum performance in your listening environment easy.

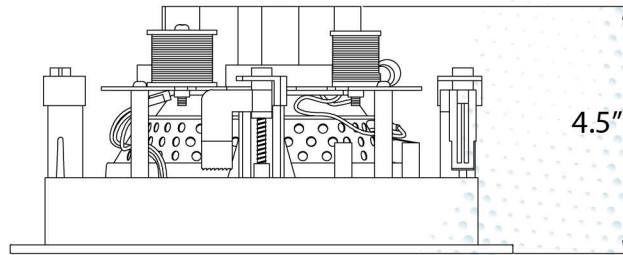
The VA-615 features a 6½-inch polygraphite woofer and soft dome tweeter. It's smooth and dependable full-range performance enhances any room.

The VF-615 steps up to a alu-dome tweeter and Woven Fiberglass woofer for upgraded performance yielding warmer, more pleasant tonality and a bit more power handling capability

The VM-615, alu-dome tweeter and rigid, fast aluminum cone woofer equals speed, power and transparency for the most demanding applications.



## VM-615



### VISAGE-SERIES In-wall In-ceiling Architectural

- Magnetically attached paintable Stainless Steel grilles round or square, White or Black, allow concealment and no worries about rust or discoloration.

- Available accessories NCB-6R, BC-6R, BC-6RS, BP-6R and FB-C6 make installation easy. Please check website or contact your dealer for details.



\*Lifetime Limited Warranty (with registration) from date of purchase to be free from defects and workmanship. For more information contact your RBH dealer or check our website.

It is RBH Sound policy to continuously incorporate improvements into products; all specifications are subject to change without notice.

For the most current information visit us online at <https://rbhsound.com>.  
Copyright ©2023 RBH Sound. All Rights Reserved.

Model	VA-615	VF-615	VM-615
SYSTEM TYPE	Architectural Loudspeaker	Architectural Loudspeaker	Architectural Loudspeaker
FREQUENCY RESPONSE	55Hz-20kHz ± 3dB	50Hz-20kHz ± 3dB	50Hz-20kHz ± 3dB
SENSITIVITY <small>(2.83V @ 1 Meter)</small>	90dB	90dB	88dB
RECOMMENDED POWER	10-80 Watts	15-100 Watts	15-120 Watts
DRIVE UNITS	(1) Soft Dome Tweeter, (1) 6.5" Polygraphite Woofer	(1) Aluminum Dome Tweeter, (1) 6.5" Woven Fiberglass Woofer	(1) Aluminum Dome Tweeter, (1) 6.5" Aluminum Woofer
TWEETER PROTECTION	Yes, self resetting poly-switch	Yes, self resetting poly-switch	Yes, self resetting poly-switch
CROSSOVER FREQUENCY	3000Hz	3000Hz	3000Hz
CROSSOVER SLOPE	12dB/Octave	12dB/Octave	12dB/Octave
IMPEDANCE	8Ω	8Ω	8Ω
CABINET / COLOR	Borderless Magnetic Frame	Borderless Magnetic Frame	Borderless Magnetic Frame
GRILLE	White Stainless Steel (Black available)	White Stainless Steel (Black available)	White Stainless Steel (Black available)
WEIGHT	3.25 lbs (1.48kg)	3.6 lbs (1.63kg)	3.65 lbs (1.66kg)
FINISHED DIMENSIONS	8-7/8" Dia x 3-7/8" D (226 Dia x 98mm D)	8-7/8" Dia x 3-7/8" D (226 Dia x 98mm D)	8-7/8" Dia x 4.5" D (226 Dia x 116mm D)
WARRANTY	*Lifetime Limited	*Lifetime Limited	*Lifetime Limited