

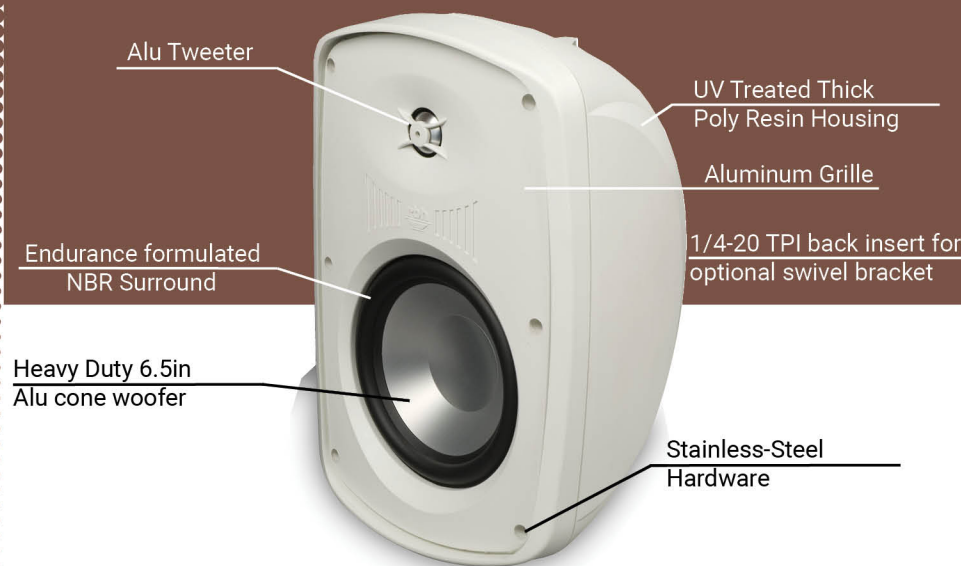
MC-6AW

Outdoor series

by **rbh** Sound



PREMIUM OUTDOOR SOUND DURABLE CONSTRUCTION



You can have enduring outdoor sound with plenty of bass for your fun, active lifestyle with the MC-6AW. It's perfect for your outdoor theater as well. Add a few of our rock speakers for full effect!

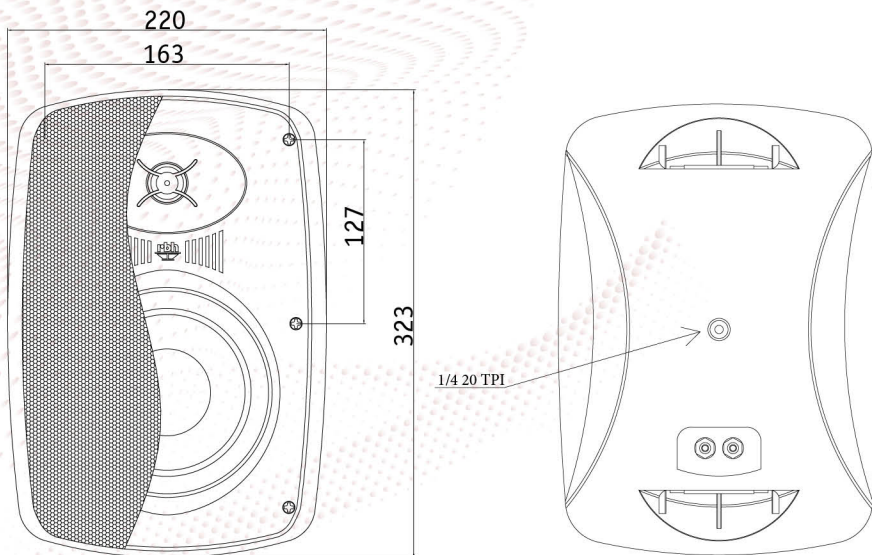
Fast, easy installation. Full range with higher than standard power handling and strong bass to fill your outdoor area with the rich sound often lacking from most outdoor speakers.



MC-6AW

The cabinet of the MC-6AW is constructed of dense acoustically inert impact resistant polypropylene resin, sealed and anti-UV treated to provide protection from the natural elements of the weather. The rounded back allows for easy placement into a corner. All hardware parts are made from brass, aluminum or stainless steel and the binding posts are nylon to avoid rusting or corrosion.

For high frequencies, the MC-6AW uses a 1-inch high performance aluminum dome tweeter. Midrange and bass is handled by a 6½-inch high end aluminum cone woofer. The tweeter is treated with ferrofluid to aid cooling and allow greater power handling. Steep acoustic slope crossover networks are used to integrate the drivers, increasing power handling, minimizing driver interaction anomalies, and maximizing the clarity with which each driver is able to produce its respective frequency band.



OUTDOOR-SERIES Attached and Landscape

- UV treated thick Poly-Resin housing is very durable and reduces resonant frequencies resulting in clear, full-range sound on par with our indoor 2-way bookshelf cabinet speakers.

- All hardware parts are made from brass, aluminum or stainless steel and the binding posts are nylon to avoid corrosion.



*10 Year Limited Warranty (with registration) from date of purchase to be free from defects and workmanship. For more information contact your RBH dealer or check our website.

It is RBH Sound policy to continuously incorporate improvements into products; all specifications are subject to change without notice. For the most current information visit us online at <https://rbhsound.com>. Copyright ©2023 RBH Sound. All Rights Reserved.

Model	MC-6AW
SYSTEM TYPE	2-Way In / Outdoor Loudspeaker
FREQUENCY RESPONSE	54Hz-20kHz ± 3dB
SENSITIVITY <small>(2.83V @ 1 Meter)</small>	90dB
RECOMMENDED POWER	10-130 Watts
DRIVE UNITS	(1) 1" (25mm) Alu dome Tweeter (1) 6-1/2" (165mm) Alu Cone Woofer
TWEETER PROTECTION	Yes, self resetting poly-switch
CROSSOVER FREQUENCY	3000Hz
CROSSOVER SLOPE	12dB/Octave
IMPEDANCE	8Ω
CABINET/ COLOR	UV resistant cast Poly-Resin White or Black
GRILLE	White or Black Alu Micro-Perforated
WEIGHT	9.1 lbs (4.13kg) each
FINISHED DIMENSIONS	12-7/8" H x 8-13/16" W x 7-1/2" D (323 H x 220 W x 190 D mm)
WARRANTY	*10 Year Limited

Designed and Engineered in our USA facility

RBH Sound • 382 Marshall Way, Ste A, Layton, Utah • USA • 84041
(801) 543-2200 • <https://rbhsound.com>