

# Voce Fina Mk II

# 50th Anniversary series

**rbh** freestanding 2-way



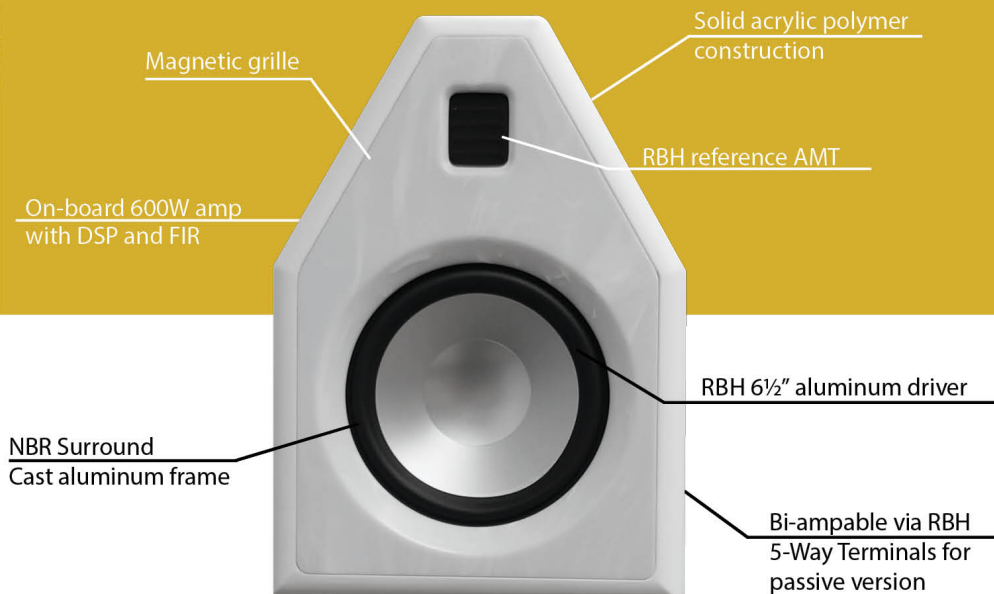
Black aluminum cone is available



Available Cabinet Colors

## SUPREME MUSICALITY

## SOLID ACRYLIC POLYMER CABINET



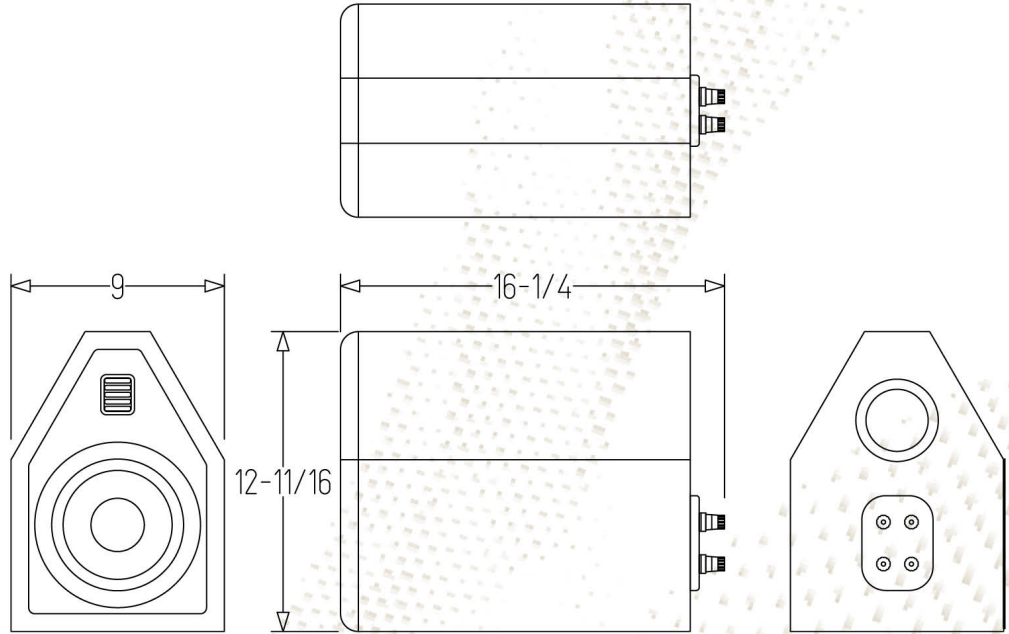
You have discovered the next-gen of one of our most lauded 2-way speakers. The sonic breadth, depth and imaging really are phenomenal. A "must listen" experience.

A new apex achievement of what is possible from a relatively small 2-way speaker. Available active with a 600W DSP amplifier or passive and your choice of nine acrylic polymer colors.



# Voce Fina Mk II

This is what happens when our team goes down the “what if?” road. The original Status Voce Fina made out of solid granite was a little heavy beast of a beauty that produced pure seduction second to none. It was reviewed as being among the finest sounding speakers ever heard or measured. The new Mk II is every bit as seductive but in a more manageable weight due to changing to solid Acrylic Polymer and it enables you to choose from nine colors to beautifully accent your décor. The update also allowed us to add more cabinet depth and we installed our RBH AMT tweeter. Better than the original? We think so and we believe you will have a hard time believing what you hear from these little speakers that present big speaker performance. Your choice of 600W of DSP on-board power or opt for passive which includes our hand-assembled custom crossovers featuring high-end components. “What if?” It’s a beautiful thing. We do that a lot here at RBH Sound.



## 50th Anniversary Series

- Available in black or silver, proprietary 6.5in anodized aluminum cone drivers
- Provides timbre matched options for multi-channel sound across all cabinet products in the RBH Sound family
- Individually hand assembled and tested. Cabinet made in USA of solid acrylic polymer
- Available in nine colors



\*Limited 10 year (3 year Amp) warranty, with registration, from date of purchase, to be free from defects and workmanship. For more information contact your RBH dealer or check our website.

It is RBH Sound policy to continuously incorporate improvements into products; all specifications are subject to change without notice. For the most current information visit us online at rbhsound.com. Copyright ©2026 RBH Sound. All Rights Reserved.

Model	Voce Fina Mk II
SYSTEM TYPE	Active or Passive Bookshelf
FREQUENCY RESPONSE	45Hz-40kHz (±3dB) Passive, 40Hz-40kHz (±3dB) Active
SENSITIVITY <small>(2.83V @ 1 Meter)</small>	91dB
RECOMMENDED POWER	600W DSP Amp Module or Passive
DRIVE UNITS	(1) 1.4" x 1" AMT Tweeter, (1) 6.5" Anodized Aluminum Cone Woofer
TWEETER PROTECTION	Yes
CROSSOVER FREQUENCY	2700Hz
CROSSOVER SLOPE	24dB/Octave Passive, 80dB/Octave Active
IMPEDANCE	8Ω
CABINET / COLOR	Acrylic Polymer Enclosure, Gloss Black, Gloss White, or Matte Marble Haze
GRILLE	HDF Grille/Acrylic Polymer Baffle, Black, Dove Grey or White fabric
WEIGHT	29.6 lbs (13.38 kg)
FINISHED DIMENSIONS	9"W x 12-11/16"H x 16-1/4"D (229 x 323 x 413mm)
WARRANTY	*10 Year Limited

Designed, Engineered, Tested and Assembled in USA from American and imported parts  
 RBH Sound • 1604 W. Hill Field Rd, Ste 100, Layton, Utah • USA • 84041  
 (801) 543-2200 • rbhsound.com