

# UNRIVALED 21 UNRIVALED series

rbh ultimate subwoofer

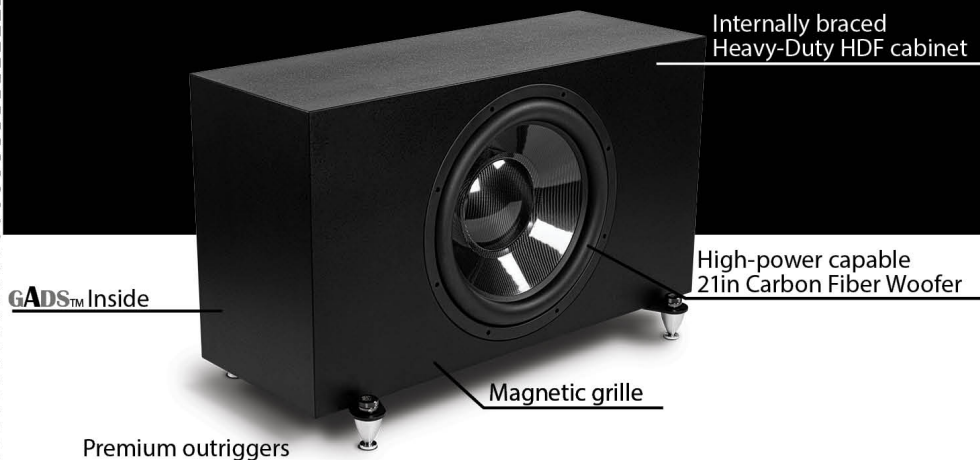


UNRIVALED



## ULTIMATE 21 INCH SUBWOOFER

POWER, FINESSE, PRECISION, INFRASONIC



You will be astounded at the depth and realism this powerhouse subwoofer will bring to your viewing and listening adventures in cinema and two-channel experiences. The RBH UNRIVALED 21.

You crave real attitude in your music and particularly in your impactful movies. This subwoofer will provide it! It's a surprisingly useful size we think you'll be happy to find space for.



# UNRIVALED 21

21-inch Carbon Fiber cone motivated by a series of stacked Neodymium magnet cylinders in the motor structure all housed in a heavily braced HDF cabinet equal earth and soul shaking performance you have to hear and feel to comprehend. This is the RBH UNRIVALED 21 Subwoofer. Sonic impact, clarity and low-end extension at levels we have not attained from any of our solo-driver subwoofers during our long history, until now. You will experience cinema and your favorite music in a whole new way.

With a CTA 2010 rating of 94.3db at 10hz, the low distortion and high output will invigorate with any soundtrack you throw at it. Our patent-pending Granular Acoustic Damping System (GADS™) helps make it possible. Each UNRIVALED 21 subwoofer is mated with a custom calibrated RBH DA-2602DSP amplifier able to achieve 4000watts.

## SF-SERIES

- Freestanding -
- Bookshelf -
- On-wall -

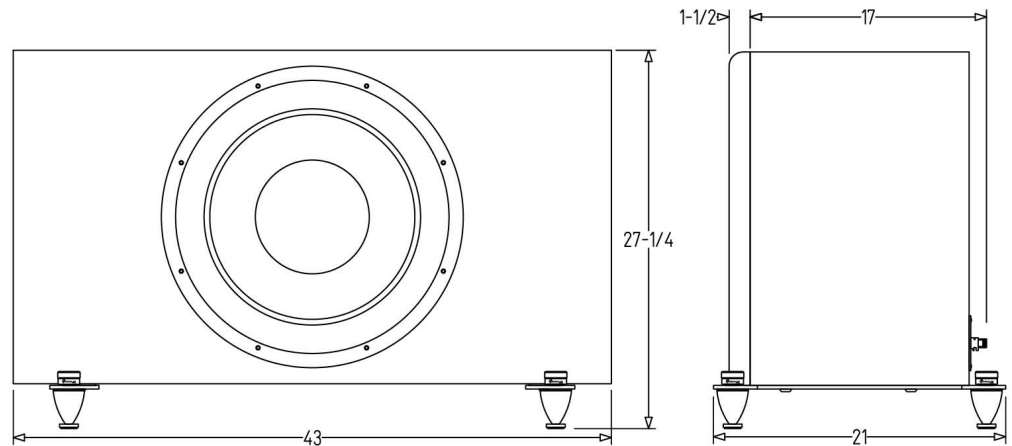
- Available in Textured Black with magnetically attached grille

- Individually hand assembled and tested. Cabinet made in USA of High Density Fiberboard (HDF)

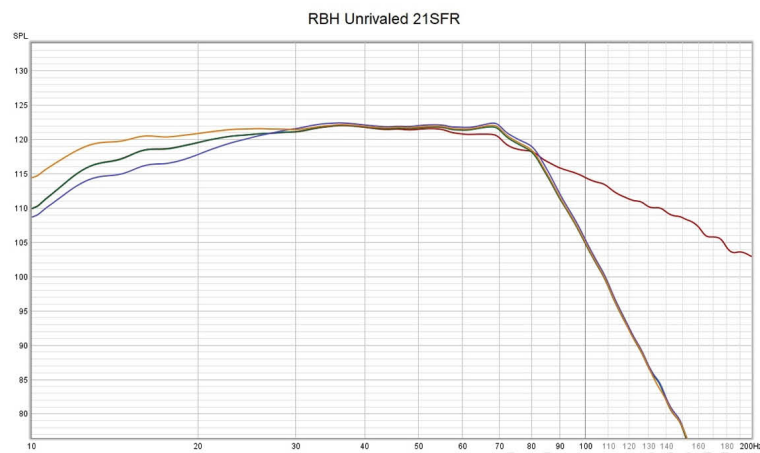


\*Limited Warranty 10 years cabinet and components (with registration) from date of purchase to be free from defects and workmanship. For more information contact your RBH dealer or check our website.

It is RBH Sound policy to continuously incorporate improvements into products; all specifications are subject to change without notice. For the most current information visit us online at <https://rbhsound.com>. Copyright ©2026 RBH Sound. All Rights Reserved.



UNRIVALED 21 subwoofer  
includes calibrated RBH DA-2602DSP  
amp (4000W)



MODEL NAME	UNRIVALED 21	CTA 2010 Measurements (@2m Ground Plane)	
		Frequency	SPL
SYSTEM TYPE	Ultimate Freestanding Subwoofer System		
FREQUENCY RESPONSE	10Hz-100Hz (±3dB)	10 Hz	94.3 dB
POWER HANDLING	4000 Watts	12.5 Hz	100.7 dB
SPL OUTPUT	123dB	14 Hz	103.8 dB
RBH DSP SUB AMPLIFIER	4000 Watts (RBH DA-2602DSP in bridged mode)	16 Hz	108.5 dB
DRIVE UNITS	(1) 21" Carbon Fiber Cone, Stacked Neo-Mag Woofer	20 Hz	115.3 dB
CROSSOVER SLOPE	24dB/Octave	25 Hz	120.2 dB
IMPEDANCE	4Ω	31.5 Hz	123.1 dB
CABINET/ COLOR	HDF construction, Textured Black	40 Hz	122.5 dB
GRILLE	Black fabric, Magnetically Attached	50 Hz	121.7 dB
WEIGHT	37lbs (168.3kg)	63 Hz	121.4 dB
FINISHED DIMENSIONS	27 1/4 H x 21" D x 43" W	80 Hz	121.7 dB
WARRANTY	*Limited 10 years	100 Hz	122.2 dB

Designed, Engineered, Tested and Assembled in USA from American and imported parts

RBH Sound • 1604 W. Hill Field Rd, Ste 100, Layton, Utah • USA • 84041  
(801) 543-2200 • [rbhsound.com](https://rbhsound.com)